

## Zoneworks, HIVE (HV/HVG) and DATA Monitored Options

Fittings with part numbers -ZW, -HV, -HVG, -DATA are fitted with Zoneworks communications modules (nodes). These fittings are monitored using either Powerline Carrier Technology that utilize the power cable to provide data communication, RF transceiver modules operating in the ISM band or a dedicated data cable to/from data routers installed on a dedicated data trunk connected to a central Server (can also be connected via Ethernet/Internet/Fibre). Zoneworks software on the server is used to monitor, coordinate testing and collate test data from each fitting. Zoneworks Fittings can be commissioned by a single push of the test switch or by scanning the supplied barcode. The LED Test Switch indicator provides a multifunction indication of the status of the fitting during testing and normal operation:

Option	State	LED Operation
ZW, HV, HVG, DATA	Commissioned	LED on Solid (Green)
ZW, DATA	Un-commissioned	<b>Batt plugged-in:</b> yellow 1s, green 1s
		<b>Batt unplugged:</b> red 1s, off 1s
HV, HVG	Un-commissioned With network connectivity	<b>Batt plugged-in:</b> yellow 1s, green 1s
		<b>Batt unplugged:</b> red 1s, off 1s
HV, HVG	Un-commissioned Without network connectivity	<b>Batt plugged-in:</b> yellow 250mS, green 250mS, yellow 250mS, green 250mS, green 1s
		<b>Batt unplugged:</b> red 250mS, off 250mS, red 250mS, off 250mS, off 1s
ZW, DATA	Emergency Light Test In Progress	LED flashes at yellow 5s , Off 1s
HV, HVG	Emergency Light Test In Progress	LED flashes at yellow 1s , Off 1s

In the case of the DATA version a 2-way "figure 8" cable and terminal block facilitates the connection to the DATA network via a multi-drop bus (daisy chain connection). For further information of installation of a Zoneworks system, please refer to the Zoneworks Users Guide and Commissioning Guide (incl. DATA version)

## DALI EM Option

Luminaires with part numbers having -DALI are fitted with DALI modules (nodes) that facilitate connection and integration to 3<sup>rd</sup> Party Lighting Control Systems. Before installing the -DALI luminaire, please confirm that the Lighting Control System has the capability to monitor DALI Emergency Luminaires. The -DALI fitting will be addressed and configured into the control system by the Lighting Control System Commissioning Technicians and not Clevertronics.

State	LED Operation
Commissioned/ Un-commissioned	LED on Solid (Green)
Emergency Light Test in progress	LED flashes at 1s On (Yellow) & 1s Off
"IDENTIFY COMMAND"	Lamp and Status LED Flash for 30 seconds

A 2-way "figure 8" cable and terminal block facilitates the connection to the DALI network. DALI connections are marked as Da Da.



# L10™ Jumbo Weatherproof Freezer Exit Installation & Maintenance Instruction Leaflet



**Victoria (Head Office & Manufacturing)**

Website: [www.clevertronics.com.au](http://www.clevertronics.com.au)

Email: [info@clevertronics.com.au](mailto:info@clevertronics.com.au)

Phone: +61 3 9559 2700

Fax: +61 3 9559 2799

**New South Wales**

Phone: +61 2 8805 6400

Fax: +61 2 8805 6444

**Queensland**

Phone: +61 7 3442 9700

Fax: +61 7 3442 9777

**South Australia/Northern Territory**

Phone: +61 8 8301 8800

Fax: +61 8 8351 8286

**Western Australia**

Phone: +61 8 9207 0000

Fax: +61 8 9207 0088

**New Zealand**

Phone: +64 800 548 448

Designed in Australia to comply with the requirements of AS2293.3: 2005 and AS/NZS CISPR15: 2017

## Models:

LJWELED-WM-FZR-32-xx-yy-zz, LJWELED-WM-FZR-40-xx-yy-zz

### Testing:

Manual Test xx = Blank

Zoneworks xx = ZW

Z/W DATA xx = DATA

Zoneworks HIVE xx = HV/HVG

DALI Registered. xx = DALI



### Options:

Running Man zz=R

Running Man Left Arrow zz=RL

Running Man Right Arrow zz=RR

Exit zz=E

Tamper Proof yy=TP



## Spare Parts:

1530230

Replacement Battery

8002120

Replacement Emergency LED Board (used in 32)

8002122

Replacement Emergency LED Board (used in 40)

AUM01370270001

Replacement Emergency Driver (used in FZR-40)

AUM01970060001

Replacement Emergency Driver (used in HVG)

## Important:

It is illegal for anyone, except for a licensed electrician to install or maintain this product. Before installation, ensure that the electricity supply has been switched off and isolated. Installation must be carried out in accordance with the relevant Australian and International Standards.

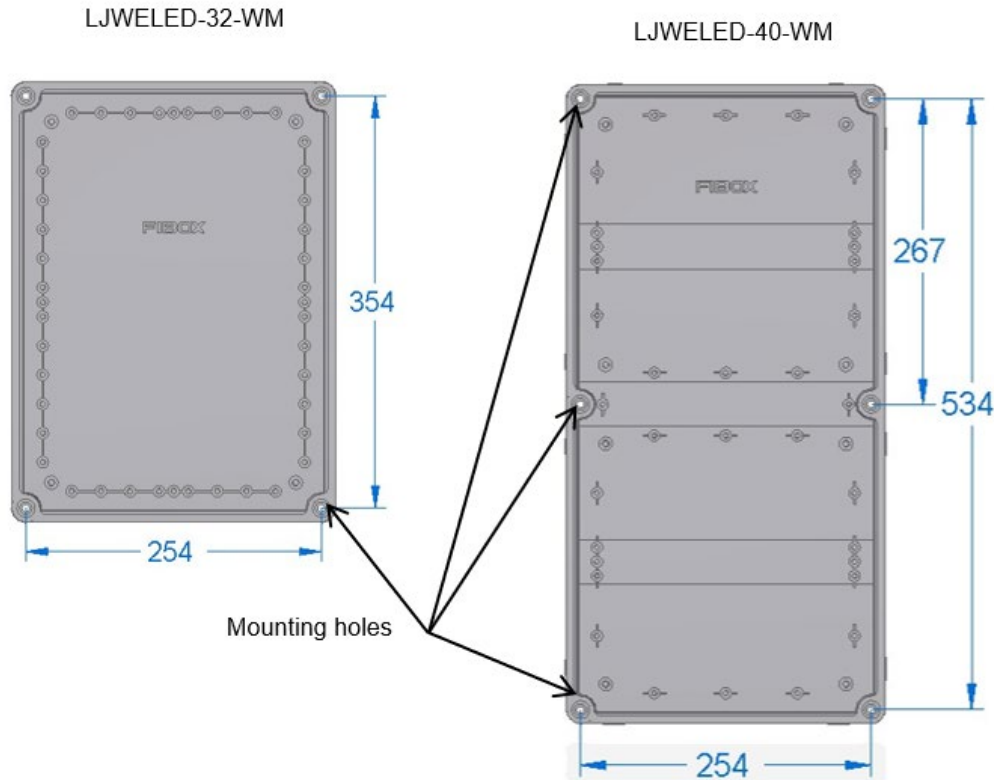
## Installation:

- Remove the cover from the weatherproof box.
- Remove the gear tray.
- Using the box, mark out the 4/6 mounting holes.
- Mount the weatherproof box.
- Route the power cable to the terminal block and connect in accordance with the A (un-switched active), N & E markings.
- Ensure any holes drilled to route power cable are sealed properly to maintain IP66/67 rating of this weatherproof product.
- Reinstall the gear tray.
- Apply the 240V AC, 50Hz supply
- Test the emergency operation via the momentary test switch.

## Networking:

When installing the product on a monitored network, (ZONWORKS, HIVE, DATA, DALI) simply insert the relevant Smart Node PCA.

## Dimensions:



## Testing:

Once connected to the 240V mains supply, the unit must be allowed to charge the battery for at least 24 hours. Conduct the following tests:

- For the first test, the emergency lamp must remain illuminated for at least 2 hours after disconnection from the mains supply.
- Subsequent tests require the unit to illuminate for at least 90 minutes. The results of all tests are required to be recorded in a service logbook, which is to be kept on-site at all times. If the unit fails to remain illuminated for the requisite time, remedial action must be taken to repair the situation and once completed, the unit must pass a subsequent test. For more specific information, please refer to the current edition of the AS 2293.3 Standard.

## Trouble Shooting:

Below are a list of common problems and their possible causes.

**Fault:** The Green LED Test Switch indicator is not illuminated.

Check: A.C. is connected and is turned on.  
Battery is connected  
Test Switch for damage.

**Fault:** Lamp does not illuminate in emergency mode.

Check: A.C. is connected.  
Lamp is correctly inserted.  
Battery is connected

**Fault:** Lamp illuminates in emergency mode, but only stays on for a short period.

Check: Battery has been allowed to charge for at least 24 hours.  
Battery for damage.

## Rated Emergency Lumen Output in accordance with AS2293.1, not applicable for –TH (theatre) version (refer to spacing tables for installation positions):

Refer to the Technical Label for classification information.

## Caution:

On many building sites, power circuits may be cut off in an uncontrolled and repetitive basis during construction. As a result, any Exit & Emergency Units, on these circuits, will have their batteries discharged or “cycled”. The battery in this fitting has been selected to give excellent long-life performance in a controlled AS2293 testing environment. Excessive battery cycling will reduce through-life performance and may lead to premature battery failure. Battery warranty claims, as a result of such abuse, are specifically EXCLUDED from Clevertronics warranty terms.

## Warranty:

For Product Warranty information and Terms and Conditions of Sales please refer to our website <http://clevertronics.com.au/terms-conditions-sale-australia-nz/>